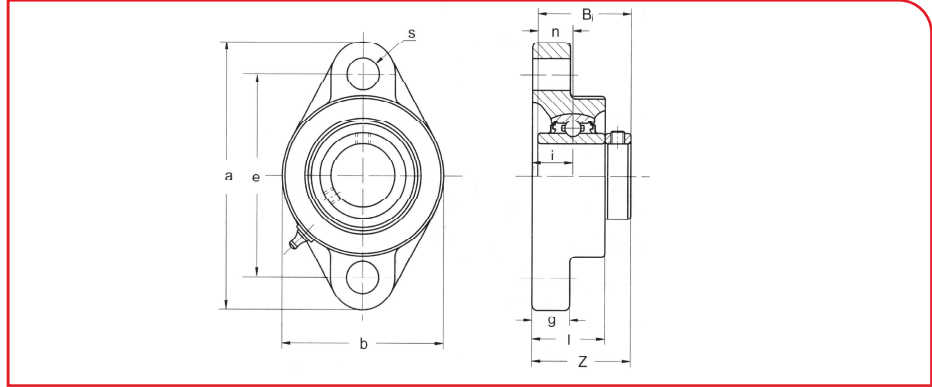


UCFL 200 Series

2-Bolt Flange

Normal Duty, Set Screw Locking



Designation	Shaft Dia.		Dimensions (mm)										Bolt Size	Bearing No.	Housing No.	Weight kg
	In.	mm	a	e	i	g	l	s	b	z	Bi	n				
UCFL 201-08	1/2		99	76.5	15	13	25.5	11.5	57	31	26	10	M10	UC 201-08	FL203	0.5
UCFL 202-10	5/8												3/8	UC 202-10		
UCFL 201-08	1/2													UC 201-08		
UCFL 202-10	5/8		113	90	15	12	25.5	12	60	33.3	31	12.7	M10	UC 202-10	FL204	0.5
UCFL 204-12	3/4												3/8	UC 204-12		
UCFL 204		20												UC 204		
UCFL 205		25												UC 205		
UCFL 205-14	7/8		130	99	16	14	27	16	68	35.7	34	14.3	M14	UC 205-14	FL205	0.6
UCFL 205-15	15/16												1/2	UC 205-15		
UCFL 205-16	1													UC 205-16		
UCFL 206		30												UC 206		
UCFL 206-17	1 1/16													UC 206-17		
UCFL 206-18	1 1/8		148	117	18	14	31	16	80	40.2	38.1	15.9	M14	UC 206-18	FL206	0.9
UCFL 206-19	1 3/16												1/2	UC 206-19		
UCFL 206-20	1 1/4S													UC 206-20		
UCFL 207		35												UC 207		
UCFL 207-20	1 1/4													UC 207-20		
UCFL 207-21	1 5/16		161	130	19	16	34	16	90	44.4	42.9	17.5	M14	UC 207-21	FL207	1.2
UCFL 207-22	1 3/8												1/2	UC 207-22		
UCFL 207-23	1 7/16													UC 207-23		
UCFL 208		40												UC 208		
UCFL 208-24	1 1/2		175	144	21	16	36	16	100	51.2	49.2	19	M14	UC 208-24	FL208	1.6
UCFL 208-25	1 9/16												1/2	UC 208-25		
UCFL 209		45												UC 209		
UCFL 209-26	1 5/8													UC 209-26		
UCFL 209-27	1 11/16		188	148	22	18	38	19	108	52.2	49.2	19	M16	UC 209-27	FL209	1.9
UCFL 209-28	1 3/4												5/8	UC 209-28		
UCFL 210		50												UC 210		
UCFL 210-30	1 7/8													UC 210-30		
UCFL 210-31	1 15/16		197	157	22	18	40	19	116	54.6	51.6	19	M16	UC 210-31	FL210	2.2
UCFL 210-32	2S												5/8	UC 210-32		
UCFL 211		55												UC 211		
UCFL 211-32	2													UC 211-32		
UCFL 211-34	2 1/8		224	184	25	20	43	19	130	58.4	55.6	22.2	M16	UC 211-34	FL211	3.1
UCFL 211-35	2 3/16												5/8	UC 211-35		
UCFL 212		60												UC 212		
UCFL 212-36	2 1/4													UC 212-36		
UCFL 212-38	2 3/8		250	202	29	20	48	23	140	68.7	65.1	25.4	M20	UC 212-38	FL212	4
UCFL 212-39	2 7/16												3/4	UC 212-39		
UCFL 213		65												UC 213		
UCFL 213-40	2 1/2		258	210	30	24	50	23	155	69.7	65.1	25.4	M20	UC 213-40	FL213	5
UCFL 214		70												UC 214		
UCFL 214-43	2 11/16		265	216	31	24	54	23	160	75.4	74.6	30.2	M20	UC 214-43	FL214	5.6
UCFL 214-44	2 3/4												3/4	UC 214-44		
UCFL 215		75												UC 215		
UCFL 215-47	2 15/16		275	225	34	24	56	23	165	78.5	77.8	33.3	M20	UC 215-47	FL215	6.2
UCFL 215-48	3												3/4	UC 215-48		