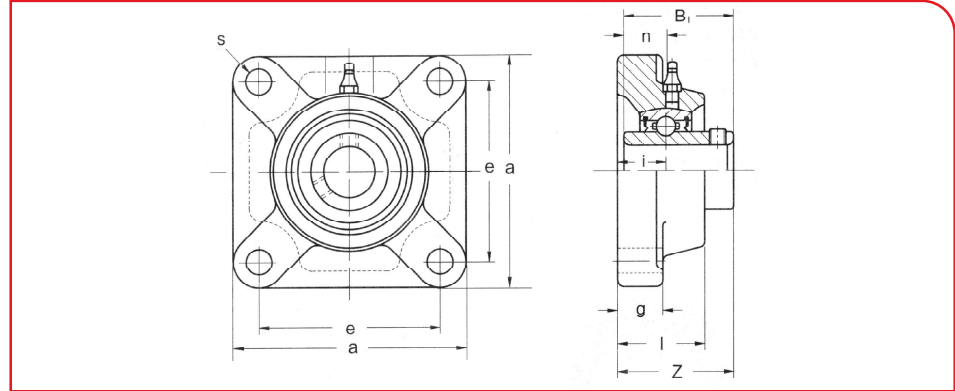


UCF 200 Series 4-Bolt Flange Normal Duty, Set Screw Locking



Designation	Shaft Dia.		Dimensions (mm)									Bolt Size	Bearing No.	Housing No.	Weight kg	
	In.	mm	a	e	i	g	l	s	z	Bi	n					
UCF 201-08	1/2												UC 201-08			
202-10	5/8												202-10			
204-12	3/4		86	63.5	15	11	25.4	12	33.3	31	12.7	3/8	204-12	F204	0.7	
204		20										M10	204			
UCF 205		25											UC 205			
205-14	7/8												205-14			
205-15	15/16		95	70	16	13	27	12	35.7	34	14.3	3/8	205-15	F205	0.8	
205-16	1											M10	205-16			
UCF 206		30											UC 206			
206-17	1 1/16												206-17			
206-18	1 1/8		108	83	18	13	31	12	40.2	38.1	15.9	3/8	206-18	F206	1.0	
206-19	1 3/16											M10	206-19			
206-20	1 1/4S												206-20			
UCF 207		35											UC 207			
207-20	1 1/4												207-20			
207-21	1 5/16		117	92	19	15	34	14	44.4	42.9	17.5	7/16	207-21	F207	1.4	
207-22	1 3/8											M12	207-22			
207-23	1 7/16												207-23			
UCF 208		40											UC 208			
208-24	1 1/2		130	102	21	15	36	16	51.2	49.2	19	1/2	208-24	F208	1.8	
208-25	1 9/16											M14	208-25			
UCF 209		45											UC 209			
209-26	1 5/8												209-26			
209-27	1 11/16		137	105	22	16	38	16	52.2	49.2	19	1/2	209-27	F209	2.2	
209-28	1 3/4											M14	209-28			
UCF 210		50											UC 210			
210-30	1 7/8												210-30			
210-31	1 15/16		143	111	22	16	40	16	54.6	51.6	19	1/2	210-31	F210	2.4	
210-32	2S											M14	210-32			
UCF 211		55											UC 211			
211-32	2												211-32			
211-34	2 1/8		162	130	25	18	43	19	58.4	55.6	22.2	5/8	211-34	F211	3.6	
211-35	2 3/16											M16	211-35			
UCF 212		60											UC 212			
212-36	2 1/4												212-36			
212-38	2 3/8		175	143	29	18	48	19	68.7	65.1	25.4	5/8	212-38	F212	4.4	
212-39	2 7/16											M16	212-39			
UCF 213		65											UC 213			
213-40	2 1/2		187	149	30	22	50	19	69.7	65.1	25.4	5/8	213-40	F213	5.5	
												M16				
UCF 214		70											UC 214			
214-43	2 11/16		193	152	31	22	54	19	75.4	74.6	30.2	5/8	214-43	F214	6.1	
214-44	2 3/4											M16	214-44			
UCF 215		75											UC 215			
215-47	2 15/16		200	159	34	22	56	19	78.5	77.8	33.3	5/8	215-47	F215	6.9	
215-48	3											M16	215-48			

Mounted units

Mounted units